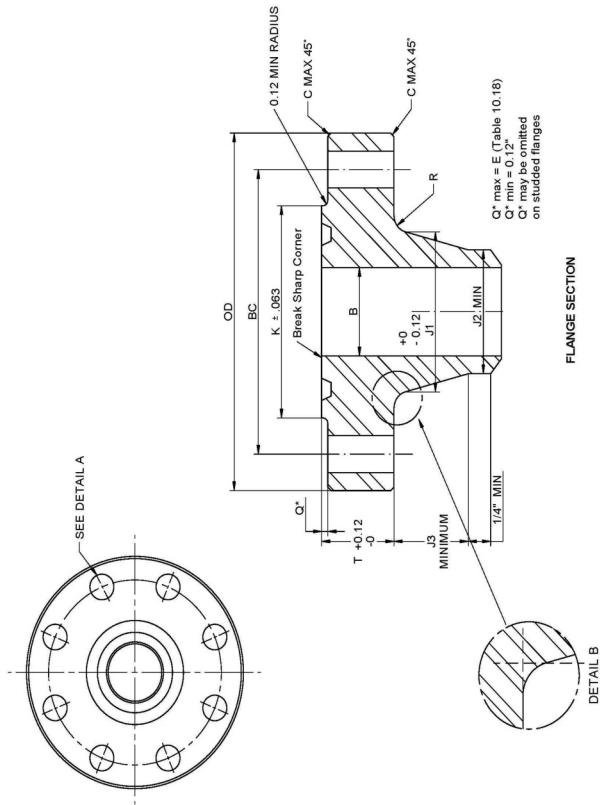


API 6A - TYPE 6BX FLANGES

5  
Flanges /  
Connectors



Flange, Welding Neck, Ring Type Joint (RTJ)

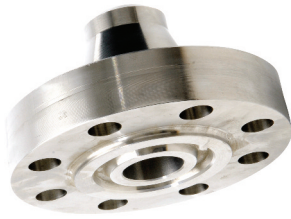


TYPE 6BX WELD NECK FLANGES - 10,000 PSI

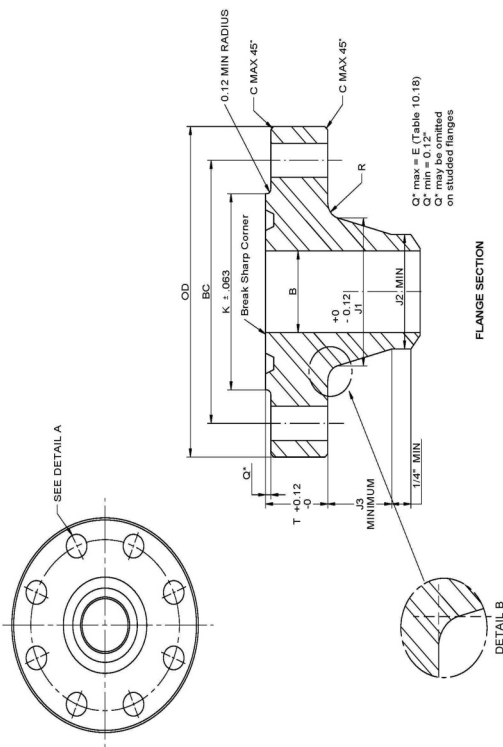
NOMINAL SIZE (INCH)	10,000 psi		RAISED FACE OD	TOTAL THICKN.	LARGE HUB DIAM.	SMALL HUB SIAM.	HUB LENGTH	OD BOLT CIRCLE	NO. OF BOLTS	BOLT DIAM. (INCH)	BOLT HOLE DIAM.	STUD BOLT LENGTH	RING NO.	OD OF GROOVE	WIDTH OF GROOVE	DEPTH OF GROOVE
	B	B														
1 13/16"	46	46.8	185	42.1	88.9	65.1	48.4	146	8	3/4"	23	125	151	77.77	11.84	5.56
2 1/16"	52	53.2	200	44.1	100	74.6	51.6	158.8	8	3/4"	23	135	152	86.23	12.65	5.95
2 9/16"	65	65.9	230	51.2	120.7	92.1	57.2	184.2	8	7/8"	26	150	153	102.77	14.07	6.75
3 1/16"	78	78.6	270	58.4	142.1	110.3	63.5	215.9	8	1"	29	170	154	119	15.39	7.54
4 1/16"	103	104	315	70.3	182.6	146.1	73	258.8	8	1 1/8"	32	205	155	150.62	17.73	8.33
5 1/8"	130	131	360	79.4	223.8	182.6	81	300	12	1 1/8"	32	220	169	176.66	16.92	9.53
7 1/16"	179	180.2	480	103.2	301.6	254	95.2	403.2	12	1 1/2"	42	285	156	241.83	23.39	11.11
9"	228	229.4	550	123.9	374.7	327.1	93.7	476.2	16	1 1/2"	42	330	157	299.06	26.39	12.7
11"	279	280.2	655	141.3	450.9	400.1	103.2	565.2	16	1 3/4"	48	380	158	357.23	29.18	14.29
13 5/8"	346	346.9	770	168.3	552.5	495.3	114.3	673.1	20	1 7/8"	51	440	159	432.64	32.49	15.88
16 3/4"	425	426.2	870	168.3	655.3	601.7	76.2	776.3	24	1 7/8"	51	445	162	478.33	17.91	8.33

Note 1: All dimensions except NPS and bolt diameter in millimeters  
 Note 2: Weld neck, Blind and Test flanges are available in 10,000, 15,000 and 20,000 psi rating  
 Note 3: Integral flanges are available in 2000, 3000, 5000, 10,000, 15,000 and 20,000 psi rating

API 6A - TYPE 6BX FLANGES - CONTINUED



Flange, Welding Neck, Ring Type Joint (RTJ)



TYPE 6BX WELD NECK FLANGES - 15,000/20,000 PSI

NOMINAL SIZE (INCH)	NOM. BORE	MAX BORE	OD FLANGE	RAISED FACE OD	TOTAL THICKN.	LARGE HUB DIAM.	SMALL HUB DIAM.	HUB LENGTH	OD BOLT CIRCLE	NO. OF BOLTS	BOLT DIAM. (INCH)	BOLT HOLE DIAM.	STUD BOLT LENGTH	RING NO.	OD OF GROOVE	WIDTH OF GROOVE	DEPTH OF GROOVE
	B	B	OD	K	T	J1	J2	J3	BC				Lssb	BX	G	N	E
15,000 psi																	
1 13/16"	46	46.8	210	106	45.3	97.6	71.4	47.6	160.3	8	7/8"	26	140	151	77.77	11.84	5.56
2 1/16"	52	53.2	220	114	50.8	111.1	82.6	54	174.6	8	7/8"	26	150	152	86.23	12.65	5.95
2 9/16"	65	65.9	255	133	57.2	128.6	100	57.2	200	8	1"	29	170	153	102.77	14.07	6.75
3 1/16"	78	78.6	290	154	64.3	154	122.2	63.5	230.2	8	1 1/8"	32	190	154	119	15.39	7.54
4 1/16"	103	104.0	360	194	78.6	195.3	158.8	73	290.5	8	1 3/8"	39	235	155	150.62	17.73	8.33
5 1/8"	130	131.0	420	225	98.5	244.5	200	81.8	342.9	12	1 1/2"	42	290	169	176.66	16.92	9.53
7 1/16"	179	180.2	505	305	119.1	325.4	276.2	92.1	428.6	16	1 1/2"	42	325	156	241.83	23.39	11.11
20,000 psi																	
1 13/16"	46	46.8	255	117	63.5	133.4	109.5	49.2	203.2	8	1"	29	190	151	77.77	11.84	5.56
2 1/16"	52	53.2	285	132	71.5	154	127	52.4	230.2	8	1 1/8"	32	210	152	86.23	12.65	5.95
2 9/16"	65	65.9	325	151	79.4	173	144.5	58.7	261.9	8	1 1/4"	35	235	153	102.77	14.07	6.75
3 1/16"	78	78.6	355	171	85.8	192.1	160.3	63.5	287.3	8	1 3/8"	39	255	154	119	15.39	7.54
4 1/16"	103	104.0	445	219	106.4	242.9	206.4	73	357.2	8	1 3/4"	48	310	155	150.62	17.73	8.33
7 1/16"	179	180.2	655	352	165.1	385.8	338.1	96.8	554	16	2"	54	445	156	241.83	23.39	11.11

Note 1: All dimensions except NPS and bolt diameter in millimeters

Note 2: Weld neck, Blind and Test flanges are available in 10,000, 15,000 and 20,000 psi rating

Note 3: Integral flanges are available in 2000, 3000, 5000, 10,000, 15,000 and 20,000 psi rating